

Ideal for
Renewables!



Right Angle Mounting Bracket

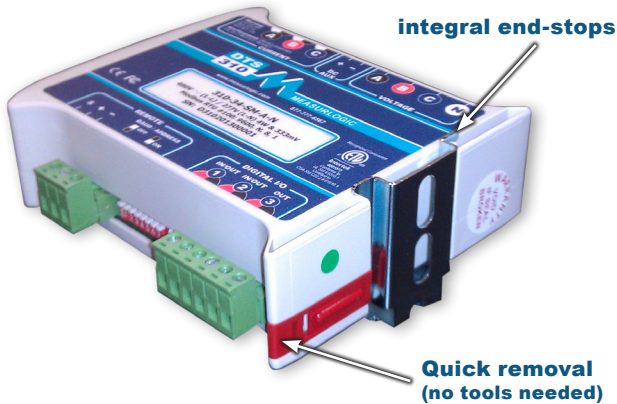
Use for DTS 307, DTS 310 AC Sub-meter or DTS DC Sub-meter

FEATURES

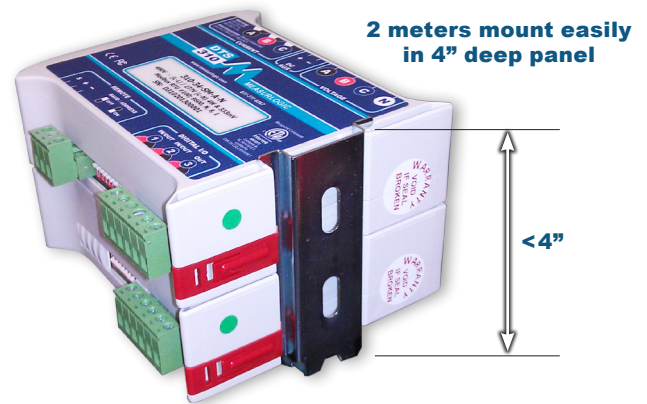
- Ability to mount 1 or 2 DTS meters on a single bracket
- Allows for mounting in shallow depth enclosures
- Quick removal of DTS meter(s) - no screwdriver needed
- Secure installation with integrated end-stops

MOUNTING CONFIGURATIONS

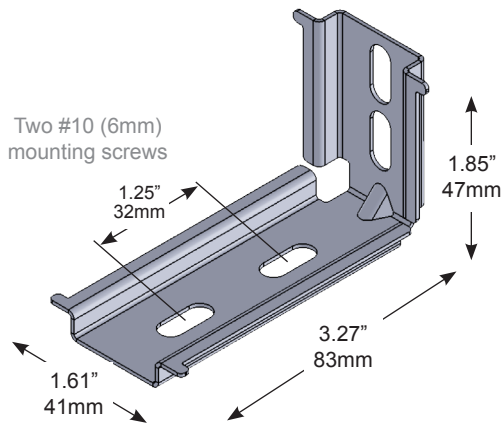
One Meter



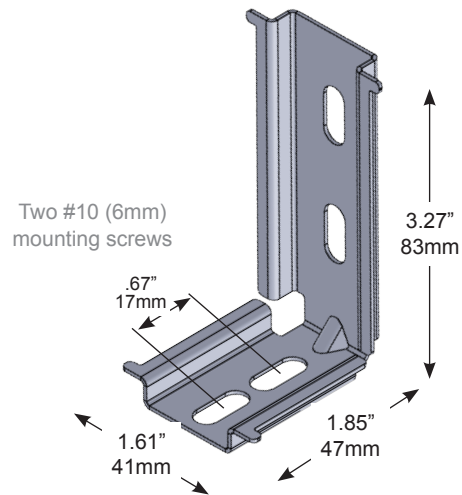
Two Meters



DIMENSIONS*



DIMENSIONS*



ORDERING INFORMATION

Part number: CHWR-0200



Call Toll Free: 877-777-6567
Email: info@measurlogic.com

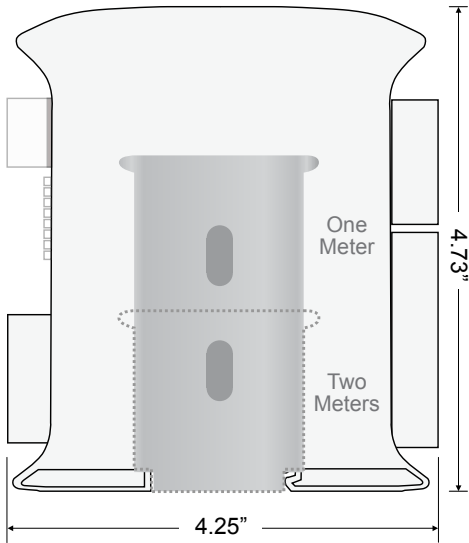
* Drawings are for illustrative purposes only
Technical details subject to change

MEASURLOGIC

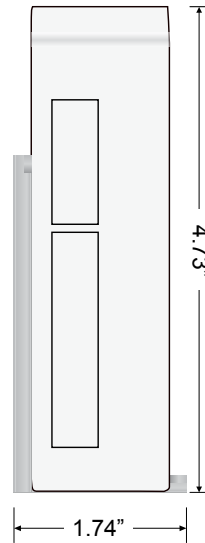
www.measurlogic.com

VERTICAL MOUNTING WITH RIGHT ANGLE MOUNTING BRACKET

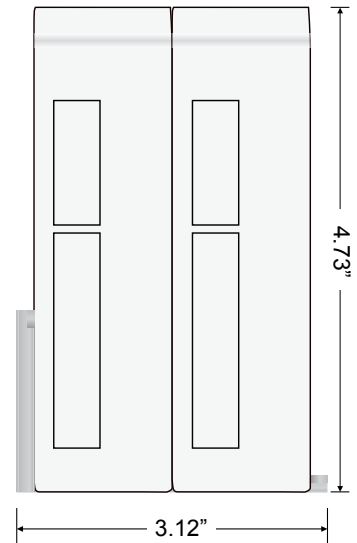
Vertical Mounting



One Meter



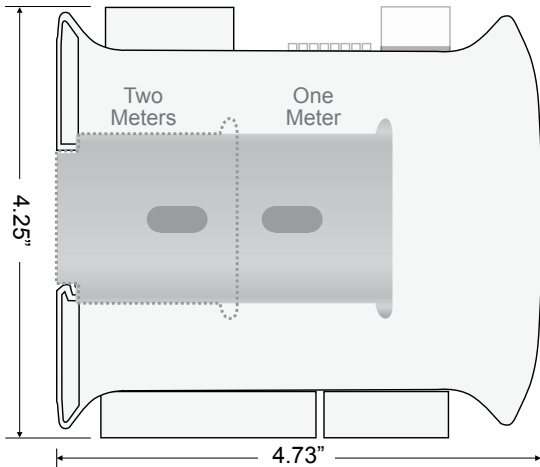
Two Meters



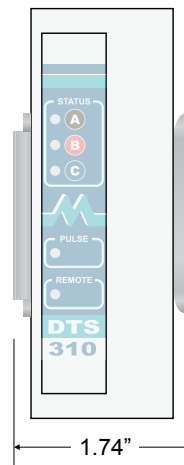
Right Angle Mounting Bracket (part# CHWR-0200) allows for Vertical mounting of 1 or 2 DTS 307 / DTS 310 / DC Meters.

HORIZONTAL MOUNTING WITH RIGHT ANGLE MOUNTING BRACKET

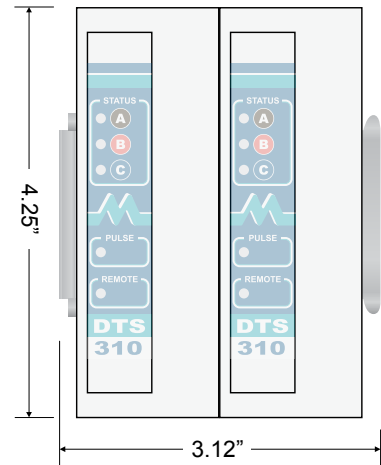
Horizontal Mounting



One Meter



Two Meters



Right Angle Mounting Bracket (part# CHWR-0200) allows for Horizontal mounting of 1 or 2 DTS 307 / DTS 310 / DC Meters.

ORDERING INFORMATION

Part number: CHWR-0200



Call Toll Free: 877-777-6567
Email: info@measurlogic.com

Distributor:

* Drawings are for illustrative purposes only
 Technical details subject to change